

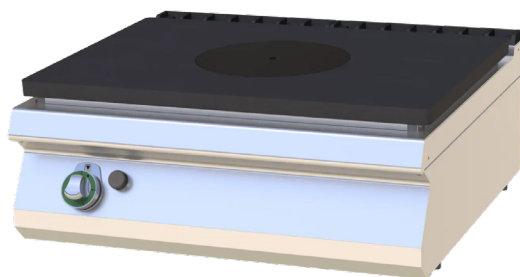
Technical data sheet

Product features



Cooking range solid top gas

Model	SAP Code	00020627
--------------	-----------------	----------



- Device type: Gas unit
- Power consumption of the zone 1 [kW]: 10,8
- Ignition: Piezo + Eternal Flame
- Material: AISI 304 top plate and cladding

SAP Code	00020627	Power gas [kW]	10.800
Net Width [mm]	800	Type of gas	Natural gas, propane butane
Net Depth [mm]	730	Number of zones	1
Net Height [mm]	300	Power consumption of the zone 1 [kW]	10,8
Net Weight [kg]	83.00	Solid top dimensions [mm x mm]	800 x 580

Technical data sheet

Technical drawing

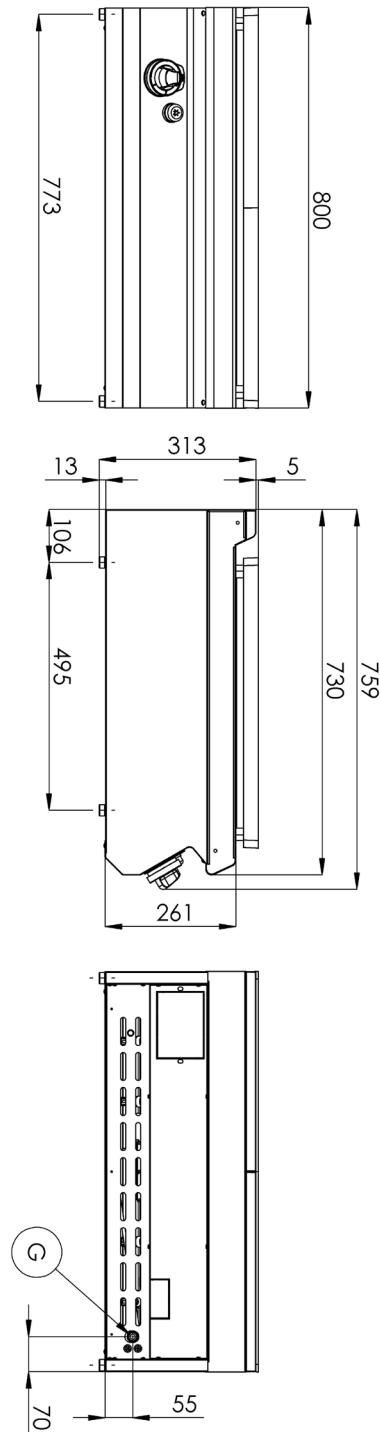


Cooking range solid top gas

Model

SAP Code

00020627



Technical data sheet

Technical parameters



Cooking range solid top gas

Model

SAP Code

00020627

1. SAP Code:

00020627

2. Net Width [mm]:

800

3. Net Depth [mm]:

730

4. Net Height [mm]:

300

5. Net Weight [kg]:

83.00

6. Gross Width [mm]:

860

7. Gross depth [mm]:

820

8. Gross Height [mm]:

480

9. Gross Weight [kg]:

95.00

10. Device type:

Gas unit

11. Construction type of device:

Table top

12. Power gas [kW]:

10.800

13. Ignition:

Piezo + Eternal Flame

14. Type of gas:

Natural gas, propane butane

15. Exterior color of the device:

Stainless steel

16. Material:

AISI 304 top plate and cladding

17. Worktop type:

Molded - comfortable cleaning maintenance

18. Worktop material:

AISI 304

19. Worktop Thickness [mm]:

1.50

20. Number of zones:

1

21. Power consumption of the zone 1 [kW]:

10,8

22. Service accessibility:

Trough the frontal panel

23. Safety thermocouple:

Yes

24. Number of burners/hot plates:

1

25. Type of gas cooking zones:

Thales

26. Oven power gas [kW]:

10.80

27. Solid top thickness [mm]:

30

28. Solid top dimensions [mm x mm]:

800 x 580

Technical data sheet

Technical parameters



Cooking range solid top gas

Model	SAP Code	00020627
--------------	-----------------	----------

29. Solid top ignition:

Piezo + Eternal Flame

30. Connection to a ball valve:

1/2